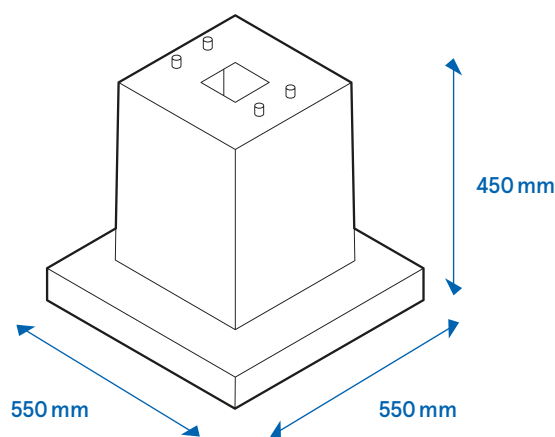


# Concrete foundation Data sheet



The concrete foundation forms the basis for installing the innogy AC charging infrastructure for the ePOLE duo, ePOLEs and eSTATIONS. Four threaded rods are embedded in the concrete foundation which enable the product to be fixed in place. All supply lines can be fed in easily due to the central cable duct.



## Key features

- ✓ Compatible with the Compleo products ePOLE duo, ePOLE and eSTATION
- ✓ Enables free-standing mounting of the AC products
- ✓ Maximum flexibility with choice of location for the charging infrastructure

## Included in delivery

- Concrete foundation
- Incl. four embedded threaded rods

## General and electrical data

Dimensions (H x W x D)	450 mm x 550 mm x 550 mm
Weight	Approx. 100 kg
Material	Concrete
Number of threaded rods	4

### Compleo Charging Solutions AG

Oberste-Wilms-Straße 15a  
D-44309 Dortmund | Germany  
servicedesk@compleo-cs.com  
compleo-cs.com

### UK sales partner

Compleo Charging Solutions UK Limited  
6th Floor | 60 Gracechurch Street  
London | EC3V 0HR | Great Britain

As of: 03/2022  
Document Center:

