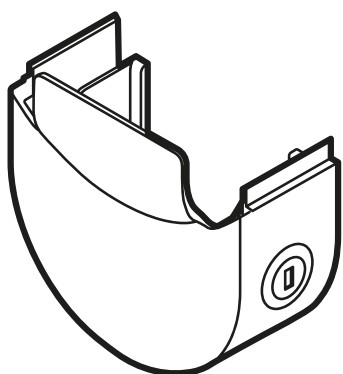


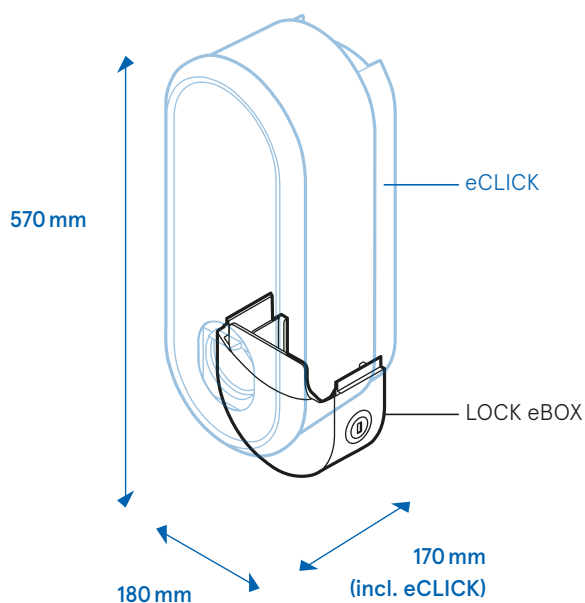
Compleo LOCK eBOX Data sheet



The LOCK eBOX safeguards the eBOX itself as well as the eCLICK docking station against theft. Access to the locking latch of the eCLICK is only possible by opening the Lock with a key. The lock can also be installed retroactively, it is not necessary to disassemble eCLICK and eBOX to install it.



LOCK eBOX



eCLICK with snapped-on eBOX and installed lock (LOCK eBOX)

Highlights

- ✓ Reliable protection of eBOX and eCLICK against theft and unauthorised opening
- ✓ Available with simultaneous locking and single-lock cylinders
- ✓ Uncomplicated retroactive installation possible

As of: 03/2022
Document Center:

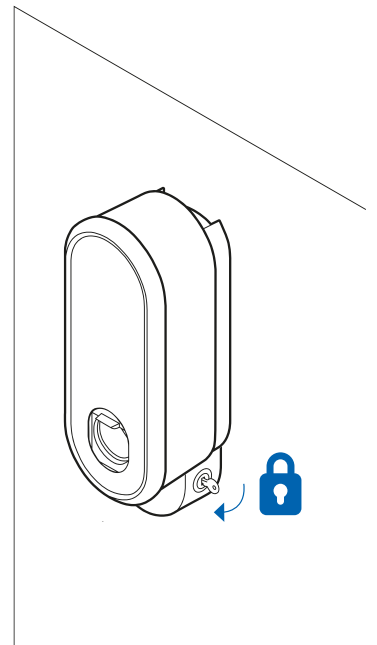
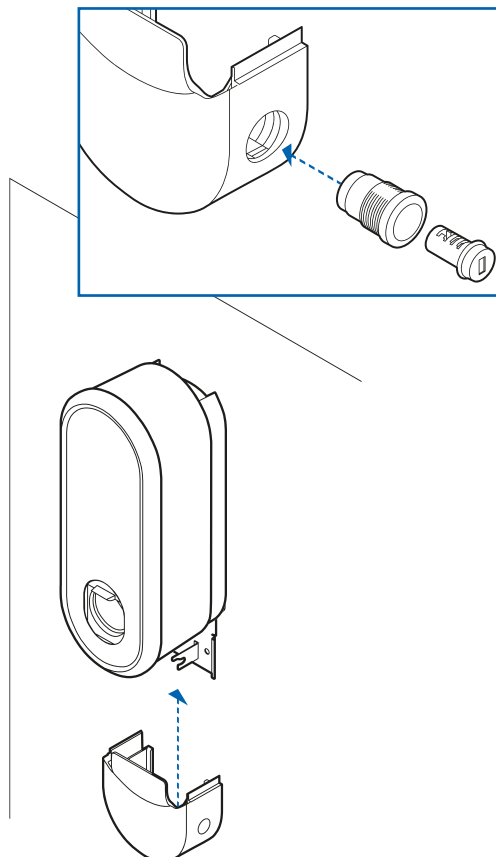
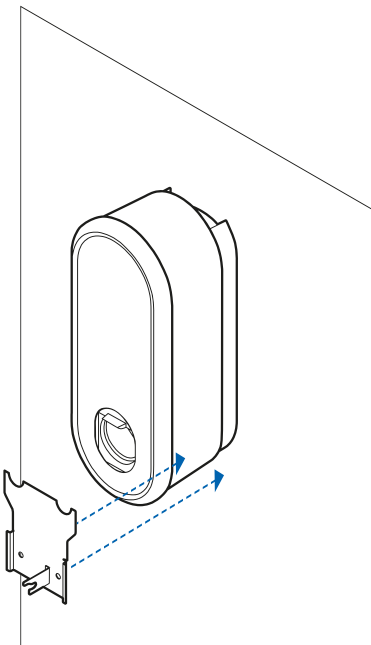


Compleo LOCK eBOX Data sheet

Installing the lock

Please install eCLICK according to its included installation instructions and snap on the eBOX.

- 01** Place the included plate flush under eCLICK to mark the drill holes. The protruding latch must be positioned to the right. Subsequently, drill the holes and screw the plate to the wall.
- 02** Insert the locking cylinder on the right side of the lock box. Push the lock box of the lock onto the board from below.
- 03** Latch the lock using the included key.



Compleo Charging Solutions AG

Oberste-Wilms-Straße 15a
D-44309 Dortmund | Germany
servicedesk@compleo-cs.com
compleo-cs.com

UK sales partner

Compleo Charging Solutions UK Limited
6th Floor | 60 Gracechurch Street
London | EC3V 0HR | Great Britain